



# Solenoid valve 2/2 way N.C. Direct acting

21A1KV15  
÷  
21A1KV30

## PRESENTATION:

Direct acting S.V. for interception of fluids compatible with the construction materials.

Minimum operational pressure is not required.

The materials used and the tests carried out ensure maximum reliability and duration.

**USE:** Automation  
Heating

**PIPES:** subplate mounting

**COILS**

8W - Ø 13 (1)	
BDA - BSA	155°C (class F)
BDV	180°C (class H)
12W - Ø 13	
UDA	155°C (class F)
14W - Ø 13	
GDH - GDV	180°C (class H)

(1) Explosion-proof housing for coils with electrical connections EN 175301-803 on request.

**COIL HOUSING AND COIL FORMER MATERIAL ARE MADE BY 100% VIRGIN MATERIAL.**

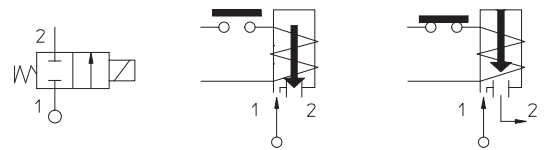
Max. allowable pressure (PS) 40 bar

Ambient temperature:

See coils catalogue page for its compatibility.



Gaskets	Temperature		Medium
	- 10°C	+140°C	
V=FKM (fluoroelastomer)	- 10°C	+140°C	Mineral oils (2°E), gasoline gas oil, fuel oils (7°E)
B=NBR (nitrile rubber)	- 10°C	+ 90°C	Air, inert gas, water
E=EPDM (ethylene-propylene)	- 10°C	+140°C	Water, steam



For seals other than FKM replace the letter "V" with the ones corresponding to the other seals. E.I. 21A1KB15.

Pipe	Code	Max viscosity		Ø mm	Kv l/mn	Power watt	Pressure		
		cSt	°E				min bar	M.O.P.D.	
								AC bar	DC bar
SUBPLATE MOUNTING	21A1KV15	12	~ 2	1,5	1,4	0	30	18	
	21A1KV20	37	~ 5	2	2		22	16	
							35	30	
							14	9	
	21A1KV25	53	~ 7	2,5	3,2		8	14	9
								30	25
						14		9	
	21A1KV30	53	~ 7	3	4	8	10	6	
							25	18	
								20	

The "ODE" reserves the right to carry out technical and aesthetic modifications without prior notice.

## MATERIALS:

<b>Body</b>	Brass - UNI EN 12165 CW617N
<b>Armature tube</b>	Stainless steel AISI series 300
<b>Fixed core</b>	Stainless steel AISI series 400
<b>Plunger</b>	Stainless steel AISI series 400
<b>Phase displacement ring</b>	Copper - Cu 99,9%
<b>Spring</b>	Stainless steel AISI series 300
<b>Seal</b>	Standard: V=FKM On request: B=NBR E=EPDM
<b>Orifice: Insert slot</b>	Stainless steel AISI series 300

## On request:

<b>Connector</b>	Pg 9 or Pg 11
<b>Connector conformity</b>	ISO 4400

## FEATURES:

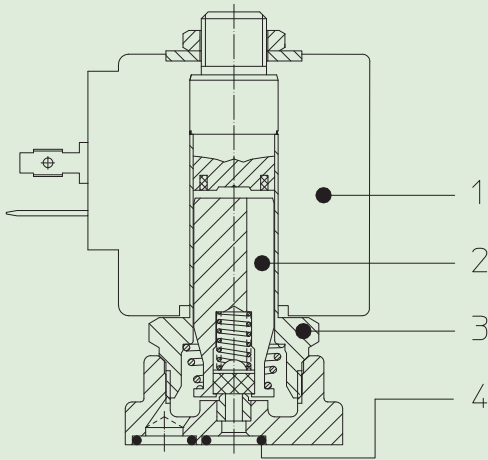
<b>Electrical conformity</b>	IEC 335
<b>Protection degree</b>	IP 65 EN 60529 (DIN 40050) with coil fitted by connector.

## SPARE PARTS:

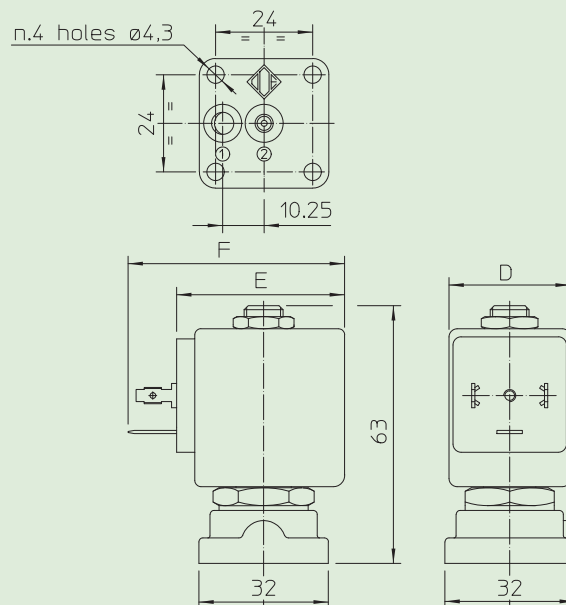
- Coil:**  
See coils list
- Complete plunger:**  
Code R450886/V
- Complete armature tube:**  
Code R450606
- Gasket O-Ring:**  
Code R990002/V

## KIT:

KT130KV30-A=2+3



## DIMENSIONS:



COIL TYPE	POWER ABSORPTION			DIMENSIONS		
	W =	Hold VA ~	Inrush VA ~	D mm	E mm	F mm
B	8	14,5	25	30	42	54
U	12	23	35	36	48	60
G	14	27	43	52	55	67