



# Solenoid valve 3/2 way N.C. Direct acting

316APBA0R15-VRP

31APBA0R20-VPR

## PRESENTATION:

Direct acting S.V. for interception of fluids compatible with the construction material.

Minimum operational pressure is not required.

The materials used and the tests carried out ensure maximum reliability and duration.

**USE:** Hot water,  
Steam (180°C)

**PIPES:** subplate mounting

**COIL:** 8W - Ø 13  
BDA - BSA 155°C (class F)  
BDV 180°C (class H)

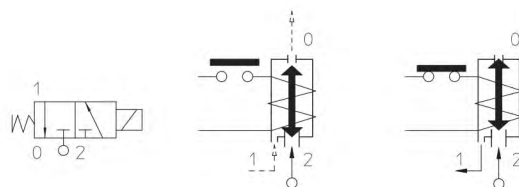
**COIL HOUSING AND COIL FORMER MATERIAL ARE MADE BY 100% VIRGIN MATERIAL.**

Ambient temperature:

See coils catalogue page for its compatibility.



Gaskets	Temperature		Medium
R+VX=RUBY+FKM (fluoroelastomer)	- 10°C	+ 140°C	Water, air, steam



Max allowable pressure (PS) 16 bar - According to EN 60730-2-8 - Factor of safety for domestic applications equal to 5 times PS

Pipe	Code	Max viscosity		Ø mm	Kv	Power	Pressure		
		cSt	°E				min bar	M.O.P.D	
								AC bar	DC bar
SUBPLATE MOUNTING	316APBA0R15-VRP	-	-	1,5*	14	8	0	16	16
	31APBA0R20-VPR			2*	2			13	13

**Max allowable pressure (PS) 25 bar** - Safety factor for industrial application equal to 3 times PS | Please consult our Technical Service.

### Note

\* 3rd way exhaust= Ø 2,5 mm | Coil nut assembly 2 Nm max, armature tube 4 Nm | Available also with coil Ex nA | The use of rigid sealings (Ruby or PTFE) usually implies a slight leakage, limited within 2scc/min at the pressure of 1 bar | For application with steam or with PS above the 16 bar, please consult our Technical Service | Available on request and with minimum quantities.

The "ODE" reserves the right to carry out technical and aesthetic modifications without prior notice.

**MATERIALS:**

<b>Body</b>	PPS
<b>Armature tube</b>	Stainless steel series 300
<b>Fixed core</b>	Stainless steel series 400
<b>Plunger</b>	Stainless steel series 300
<b>Phase displacement ring</b>	Copper - Cu 99,9%
<b>Spring</b>	Stainless steel series 300
<b>Seal</b>	RUBY + FKM
<b>Orifice: Inserted slot</b>	Stainless steel series 300

**On request:**

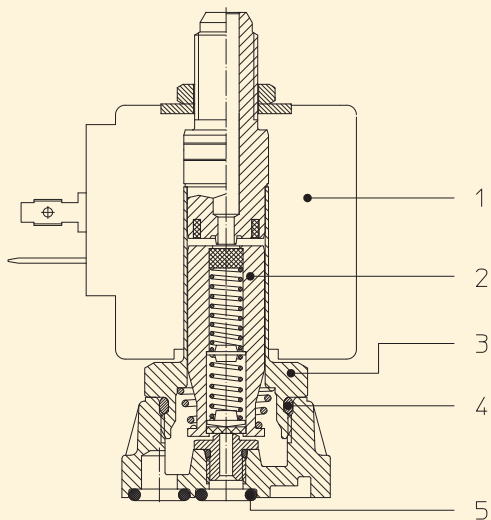
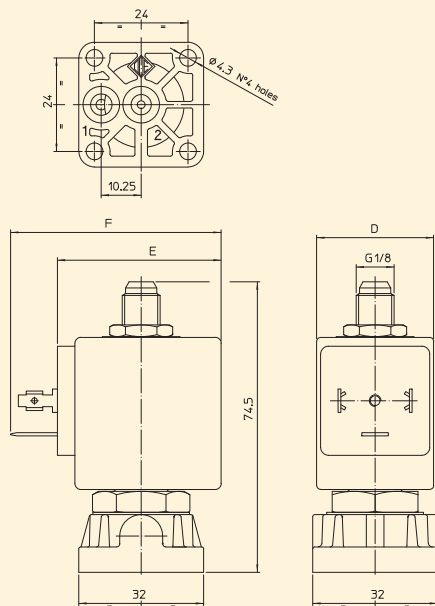
<b>Connector</b>	Pg 9 or Pg 11
<b>Connector conformity</b>	ISO 4400

**FEATURES:**

<b>Electrical conformity</b>	IEC 335
<b>Protection degree</b>	IP 65 EN 60529 (DIN 40050) with coil fitted by connector.

**SPARE PARTS:**

- Coil:**  
See coils list
- Complete plunger:**  
Code R450982
- Complete armature tube:**  
Code R450864
- Gasket O-Ring:**  
Code R990000/VX
- Gasket O-Ring:**  
Code R990002/S

**DIMENSIONS:**

COIL TYPE	POWER ABSORPTION			DIMENSIONS		
	W ---	Hold VA ~	Inrush VA ~	D mm	E mm	F mm
B	8	14,5	25	30	42	54