



Vibration Pump

PX50

APPLICATION:

Coffee Machines,
Floor Cleaning Machines,
Steam Ironing Stations

SPECIFICATIONS:

| | |
|-------------------------|---|
| Outlet | G 1/8 |
| Pressure | 15 bar |
| Fluids | Water |
| Max Ambient Temperature | 35°C |
| Max Fluid Temperature | 35°C |
| Dead head Pressure | See graph |
| Free Flow Rate | See graph |
| Terminals | 6.3mm x 0.8mm Faston type |
| Endurance | 18000 cycles (base on 1 min ON, 1 min OFF) |

Not require External Type Diode



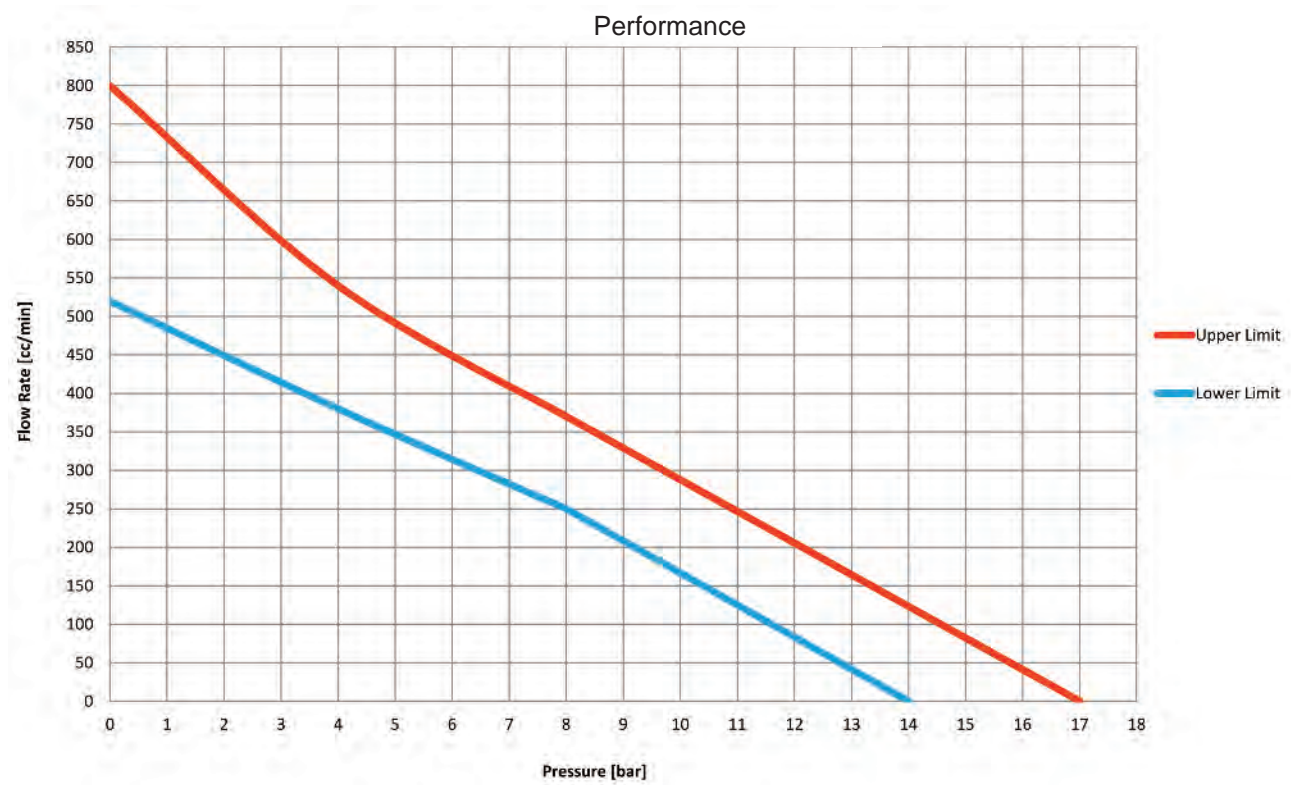
Proven sealing system for reliable and long life application

| Code | Voltages Frequency | ON/OFF min. | Class | Consumption | Outlet Port |
|--------------------|-----------------------|----------------|-----------|-------------|-------------|
| PX50230V-AP2-N02-0 | 230 ~ 50 | 1,5/1 | H (180°C) | 53 W | Brass |
| P992124-AP | 230 ~ 50 | 1,5/1 | H (180°C) | 53 W | Polymer |

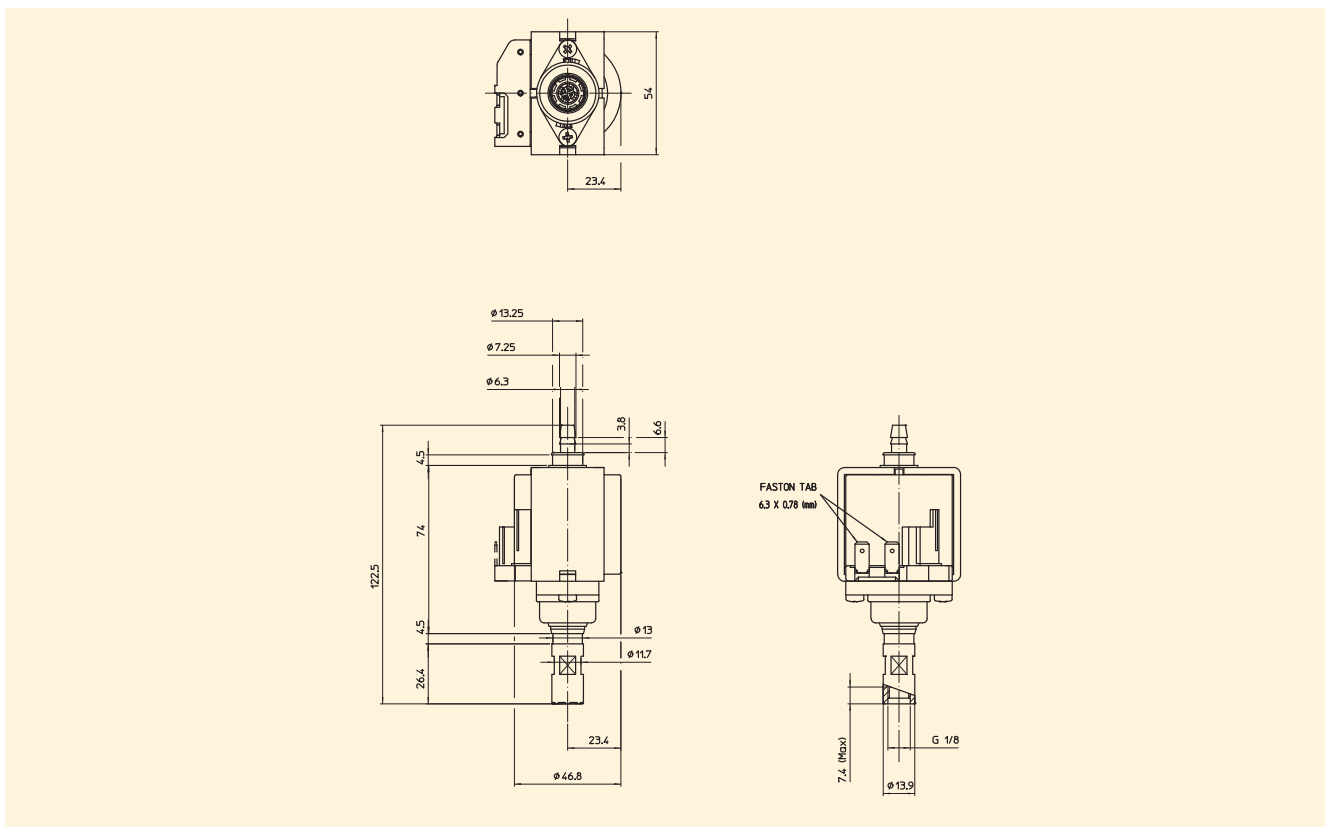
MATERIALS:

| | |
|-----------------|----------------------------|
| Plunger | Stainless Steel series 400 |
| Spring | Stainless Steel series 300 |
| No return valve | NBR |
| Seal | EPDM/Silicon |
| Plastic Parts | PA66 Based Polymer |

PERFORMANCE CURVE:



DIMENSIONS:



Note: continuous dry-run would damage the unit permanently.